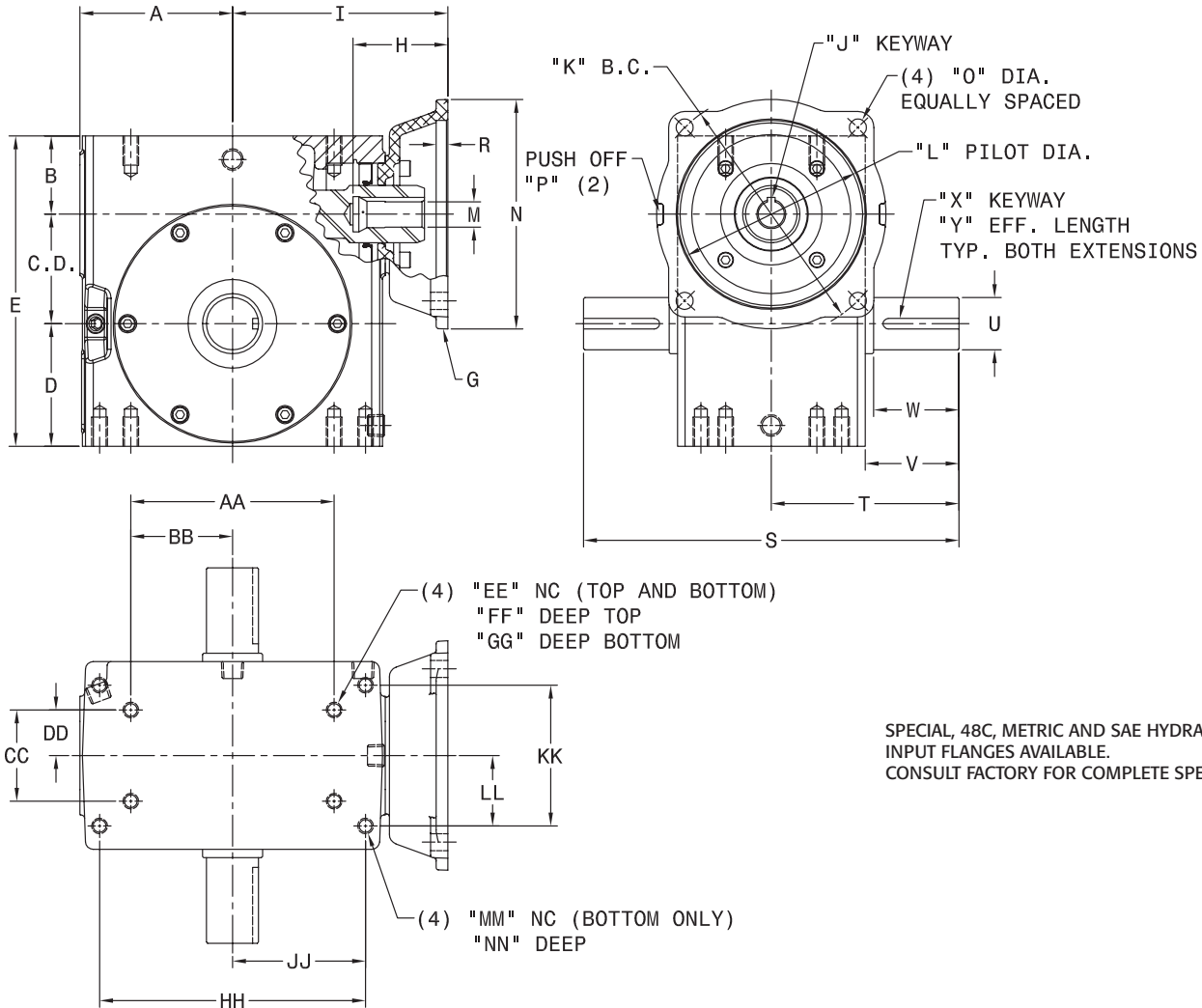




**MODELS**

134, 184, 214, 244, 264, 324, 384, 454, 524

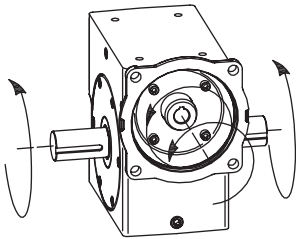


SPECIAL, 48C, METRIC AND SAE HYDRAULIC INPUT FLANGES AVAILABLE. CONSULT FACTORY FOR COMPLETE SPECIFICATIONS.

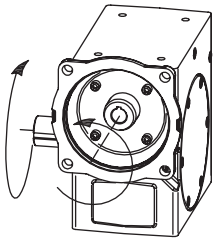
**FOR LUBRICATION AND INSTALLATION INSTRUCTIONS - REFER TO SECTION R**

STANDARD STYLES AVAILABLE

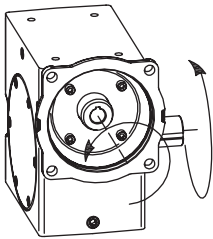
DIMENSIONS SHOWN ARE FOR REFERENCE ONLY. DOWNLOAD AVAILABLE CAD MODELS AT: [WWW.HUBCITYINC.COM](http://WWW.HUBCITYINC.COM)



STYLE "A"



STYLE "B"



STYLE "C"

CONSULT FACTORY FOR VERTICAL SHAFT LUBRICATION RECOMMENDATIONS  
 INPUT SHAFT CAN BE ROTATED IN EITHER DIRECTION



**MODELS**

134, 184, 214, 244, 264, 324, 384, 454, 524

**B**

**SINGLE REDUCTION**

MODEL	C.D.	A	B	D	E	G	H	I	J	K	L	M	N	O	P	R					
<del>134</del>	<del>1.334</del>	<del>2.28</del>	<del>1.186</del>	<del>1.562</del>	<del>4.082</del>	<del>56C</del>	<del>2.27</del>	<del>3.63</del>	<del>3/16 X 3/32</del>	<del>5.875</del>	<del>4.501/4.503</del>	<del>0.625</del>	<del>5.50</del>	<del>13/32</del>	<del>SLOTS</del>	<del>.19</del>					
<del>184</del>	<del>1.751</del>	<del>2.65</del>	<del>1.374</del>	<del>1.875</del>	<del>5.000</del>	<del>56C</del>	<del>2.27</del>	<del>4.00</del>	<del>3/16 X 3/32</del>	<del>5.875</del>	<del>4.501/4.503</del>	<del>0.625</del>	<del>5.50</del>	<del>13/32</del>	<del>SLOTS</del>	<del>.19</del>					
<del>214</del>	<del>2.064</del>	<del>3.00</del>	<del>1.500</del>	<del>2.437</del>	<del>6.000</del>	<del>56C</del>	<del>2.27</del>	<del>4.50</del>	<del>3/16 X 3/32</del>	<del>5.875</del>	<del>4.501/4.503</del>	<del>0.625</del>	<del>5.50</del>	<del>13/32</del>	<del>SLOTS</del>	<del>.19</del>					
244	2.376	3.38	2.062	2.500	6.938	143TC	2.38	4.88	3/16 X 3/32	5.875	4.501/4.503	0.875	5.50	13/32	SLOTS	.19					
						56C	2.27					0.625									
						182TC	3.19					1.125									
264	2.626	3.66	1.874	2.938	7.438	143TC	2.38	5.16	3/16 X 3/32	5.875	4.501/4.503	0.875	5.50	13/32	SLOTS	.19					
						56C	2.27					0.625									
						182TC	3.19					1.125									
324	3.251	4.40	2.124	3.250	8.625	143TC	2.38	6.00	3/16 X 3/32	5.875	4.501/4.503	0.875	5.50	13/32	SLOTS	.19					
						56C	2.27					0.625									
						182TC	3.19					1.125									
384	3.751	4.90	2.374	3.937	10.062	143TC	2.38	6.50	3/16 X 3/32	5.875	4.501/4.503	0.875	5.50	13/32	SLOTS	.19					
						56C	2.27					0.625									
						182TC	3.19					1.125									
454	4.501	5.67	2.499	4.625	11.625	143TC	2.38	6.75	3/16 X 3/32	5.875	4.501/4.503	0.875	6.50	13/32	SLOTS	.44					
						56C	2.25					0.625									
						182TC	3.19		1.125	1/4 X 1/8	7.250	8.501/8.504					1.375	9.00	17/32	HOLES	.44
						213TC	3.50		1.375												
524*	5.168	6.42	2.624	5.375	13.167	182TC	3.19	7.50	1/4 X 1/8	7.250	8.501/8.504	1.125	9.00	17/32	HOLES	.44					
						213TC	3.50					1.375									

\* 56C & 143TC FLANGES AVAILABLE AS MODIFIED STANDARDS

MODEL	S	T	U	V	W	X	Y	AA	BB	CC	DD
<del>134</del>	<del>6.50</del>	<del>3.25</del>	<del>.625/.624</del>	<del>1.69</del>	<del>N/A</del>	<del>3/16 X 3/32</del>	<del>1.38</del>	<del>2.250</del>	<del>1.125</del>	<del>1.625</del>	<del>.812</del>
<del>184</del>	<del>7.00</del>	<del>3.50</del>	<del>.750/.749</del>	<del>1.78</del>	<del>1.54</del>	<del>3/16 X 3/32</del>	<del>1.41</del>	<del>3.125</del>	<del>1.562</del>	<del>1.625</del>	<del>.812</del>
<del>214</del>	<del>8.50</del>	<del>4.25</del>	<del>.875/.874</del>	<del>2.19</del>	<del>1.95</del>	<del>3/16 X 3/32</del>	<del>1.83</del>	<del>4.000</del>	<del>2.000</del>	<del>2.000</del>	<del>1.000</del>
244	9.00	4.50	1.125/1.124	2.31	2.06	1/4 X 1/8	1.74	5.000	2.500	2.875	1.438
264	9.00	4.50	1.250/1.249	2.25	N/A	1/4 X 1/8	1.85	4.875	2.437	2.688	1.344
324	10.88	5.44	1.375/1.374	2.84	N/A	5/16 X 5/32	2.31	6.250	3.125	2.750	1.375
384	13.38	6.69	1.500/1.499	3.88	N/A	3/8 X 3/16	3.16	6.875	3.438	3.000	1.500
454**	14.50	7.25	1.625/1.624	4.18	3.90	3/8 X 3/16	3.28	8.125	4.063	3.250	1.625
524***	15.62	7.81	1.750/1.749	4.47	4.17	3/8 X 3/16	3.50	9.500	4.750	3.750	1.875

\*\* ALSO AVAILABLE WITH 1.750/1.749 (M) DIAMETER OUTPUT SHAFT. CONSULT FACTORY.

\*\*\* ALSO AVAILABLE WITH 2.000/1.999 (M) DIAMETER OUTPUT SHAFT. CONSULT FACTORY.

MODEL	EE	FF	GG	HH	JJ	KK	LL	MM	NN	WT. LBS.
134	1/4 UNC	.50	.50	3.250	1.625	2.000	1.000	5/16 NC	.75	11
184	1/4 UNC	.50	.50	4.188	2.094	2.750	1.375	5/16 NC	.75	16
214	3/8 UNC	.50	.75	5.000	2.500	2.875	1.438	3/8 NC	.70	25
244	3/8 UNC	.70	.70	N/A	M/A	N/A	N/A	N/A	N/A	33
264	3/8 UNC	.70	.70	6.375	3.188	3.375	1.688	3/8 NC	.70	38
324	1/2 UNC	.75	.90	7.500	3.750	4.000	2.000	7/16 NC	.88	64
384	1/2 UNC	.94	1.00	8.500	4.250	4.750	2.375	1/2 NC	1.00	90
454	5/8 UNC	.88	1.13	N/A	M/A	N/A	N/A	N/A	N/A	112
524	5/8 UNC	1.00	1.25	N/A	M/A	N/A	N/A	N/A	N/A	138